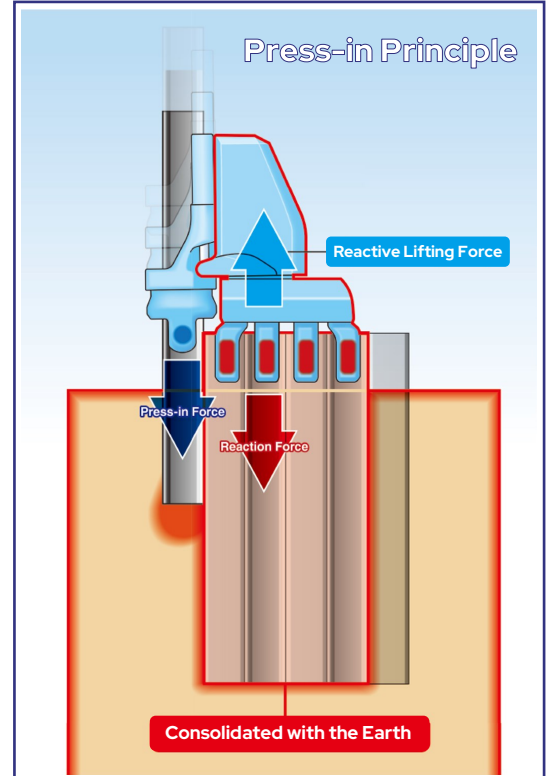
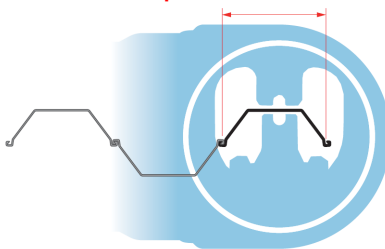


Giken F201A Silent Piler



Giken F201 has 150 tonnes of pressing force and is designed to install U profile sheet piles up to 600mm wide

U piles: 500 - 600mm



Super Crush Mode



Water Jetting Mode



Standard Mode

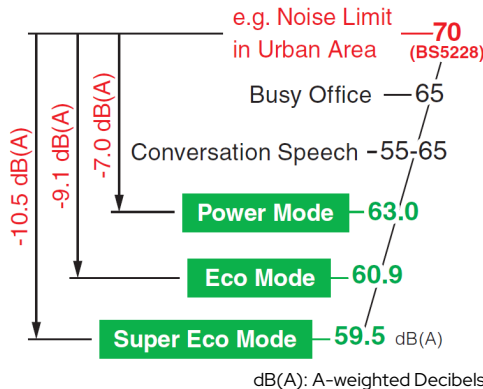


Low Emission Engine

The Giken Power Unit is designed to meet strict environmentally-friendly specifications, encompassing clean emissions combined with high combustion efficiency and Giken's hydraulic control technology.

Ultra Low Noise Levels

Designed to operate well within allowable construction noise levels

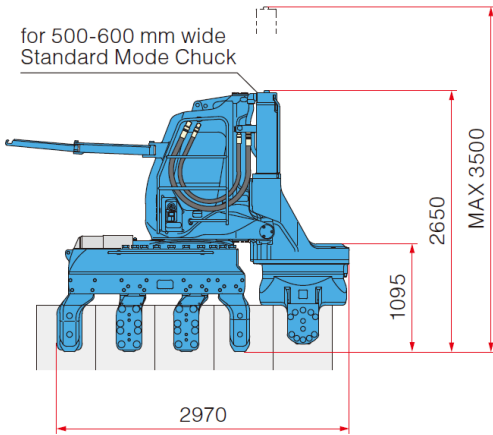
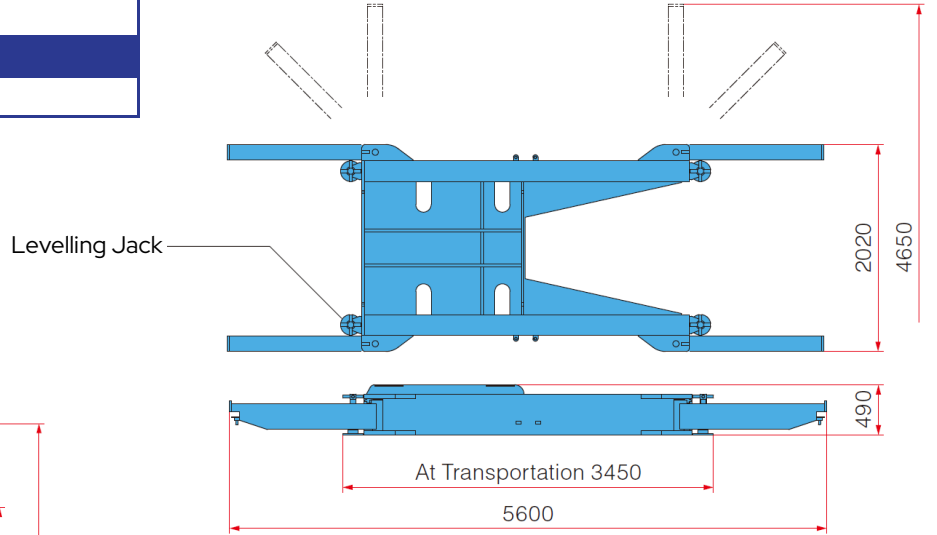
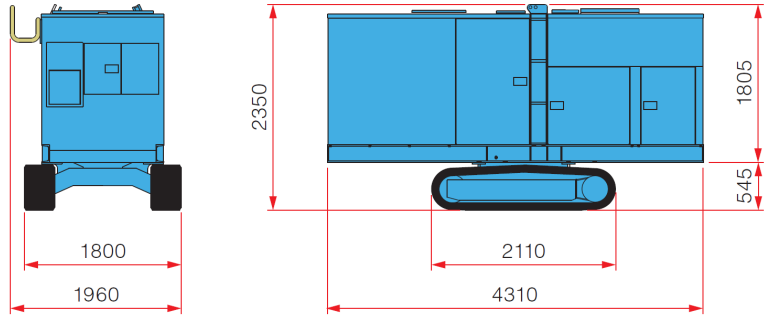


Standard Application of Bio-degradable Oil

Giken uses bio-degradable Piler Eco Oil and Piler Eco Grease as standard. Therefore, if hydraulic oil or grease is spilled into soil or water, there will be no environmental damage to the surrounding eco-system. In addition, our machines are painted with TX-Free non-lead paint*

* Environmentally-friendly paint which does not contain toluene, xylene or lead based pigment.

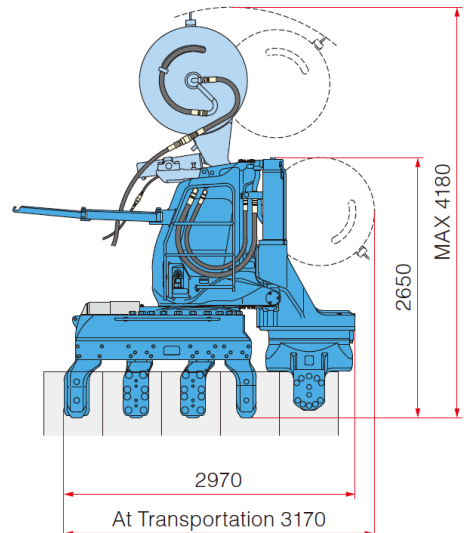
Power Unit		Giken F201A
Power source	Diesel Engine - EU300K4	
Rated output	Power mode: 265 kW / 1800 min ⁻¹	
	ECO Mode : 236 kW / 1600 min ⁻¹	
	Super Eco Mode: 206 kW / 1400 min ⁻¹	
Fuel tank capacity	600 litres	
Hydraulic reservoir	Piler ECO Oil 630 litres	
Urea additive tank capacity	38 litres	
Moving speed	1.4 km/h	
Weight	7250 kg (with 20 m hose)	
Reaction Stand (with Levelling Jack)		
Weight	1900 kg	



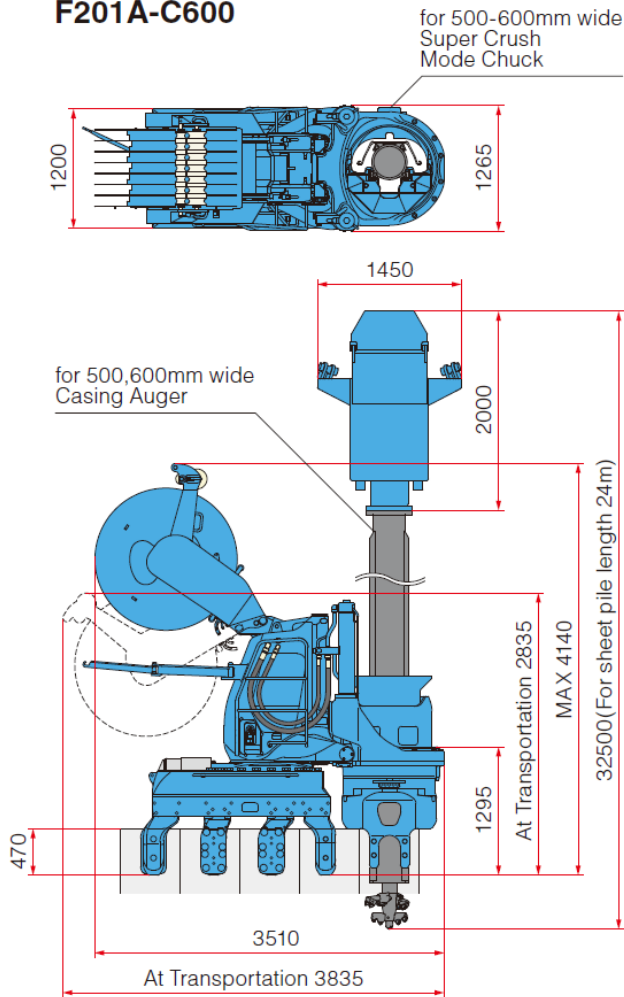
Standard Mode		F201A
Max. Press-in force	1500 kN	
Max. Extraction force	1600 kN	
Stroke	850 mm	
Press-in speed	1.4 ~ 30.0 m/min	
Extraction speed	1.1 ~ 23.2 m/min	
Control system	Radio control	
Movement	Self movement	
Weight	Main body	10300 kg

Piler Jet Reel		JR22
Applicable pile length	Standard 16.0 m	
Jet water volume	Max 700 litres/min	
Jet water pressure	Max 15.0 Mpa (153 kgf/cm ²)	
Weight	780 kg	
(inc standard length of Piler ECO Hose)		

Water Jet Mode		F201A
Max. Press-in force	1500 kN	
Max. Extraction force	1600 kN	
Stroke	850 mm	
Press-in speed	1.4 ~ 30.0 m/min	
Extraction speed	1.1 ~ 23.2 m/min	
Control system	Radio control	
Movement	Self movement	
Weight	Main body + piler jet reel	11080 kg



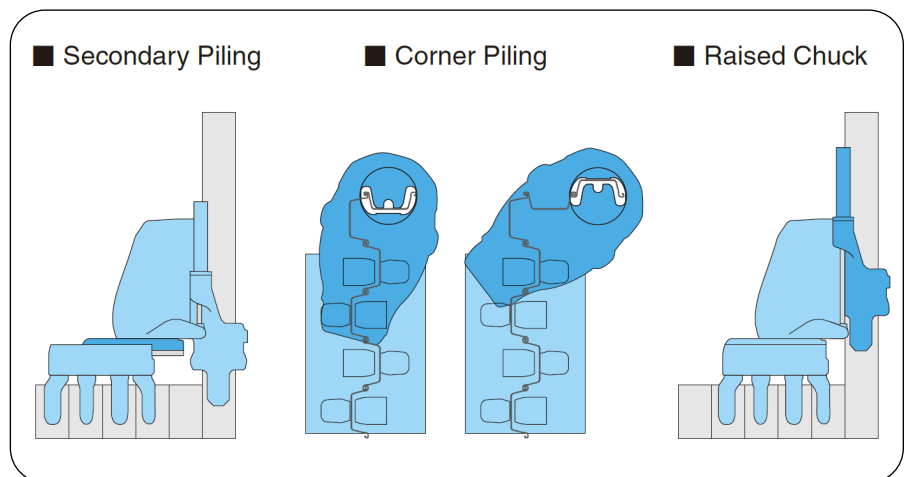
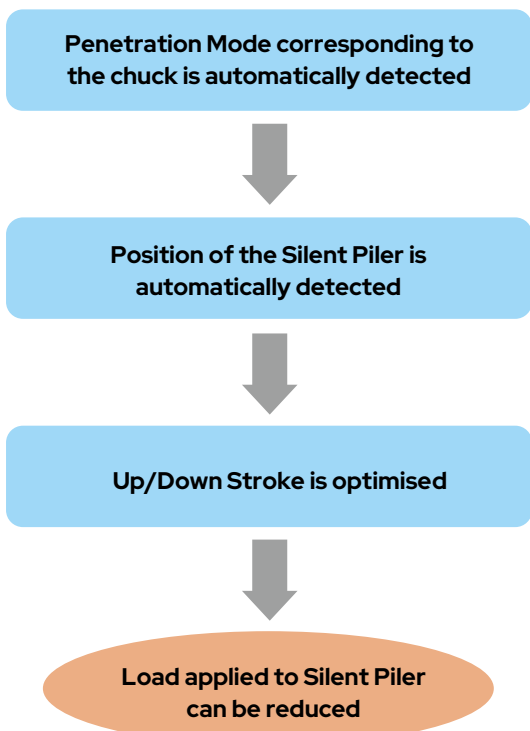
F201A-C600

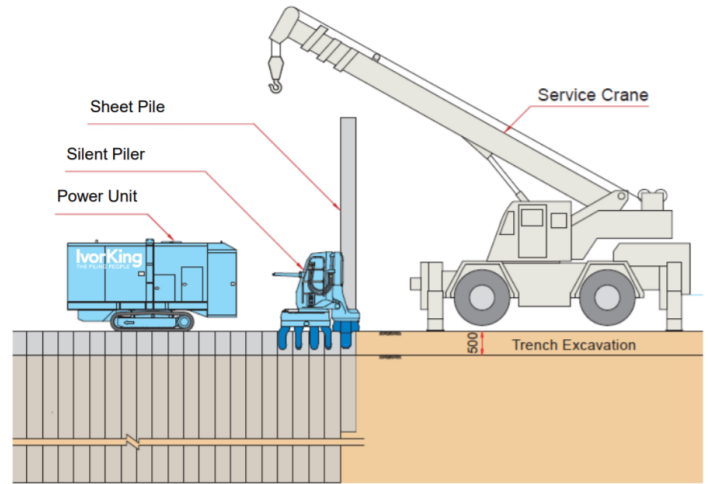
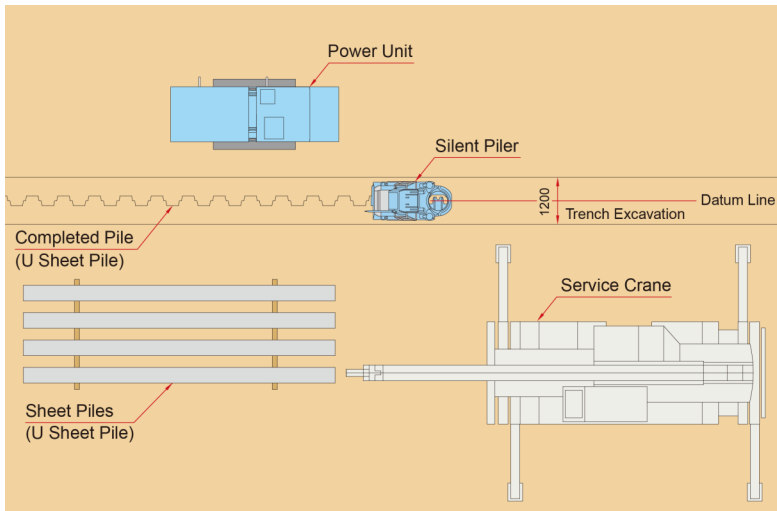


Supercrush Mode	F201A
Max. Press-in force	800 kN
Max. Extraction force	900 kN
Stroke	850 mm
Control system	Radio control
Press-in speed	0.5 ~ 4.5 m/min
Extraction speed	1.1 ~ 9.4 m/min
Movement	Self movement
Weight (main body + hose reel)	13610 kg
Hose Reel	
Mass (standard)	2750 kg (inc. hose reel bracket)
Pile Auger	
Applicable pile length (standard)	Max 24 m
Weight	Auger Motor 1850 kg Casing Auger 10050 kg
Total Weight	11900 kg



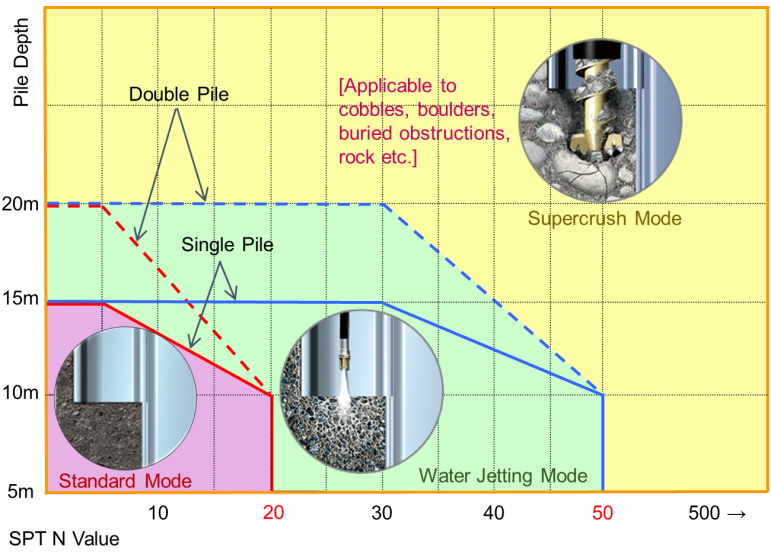
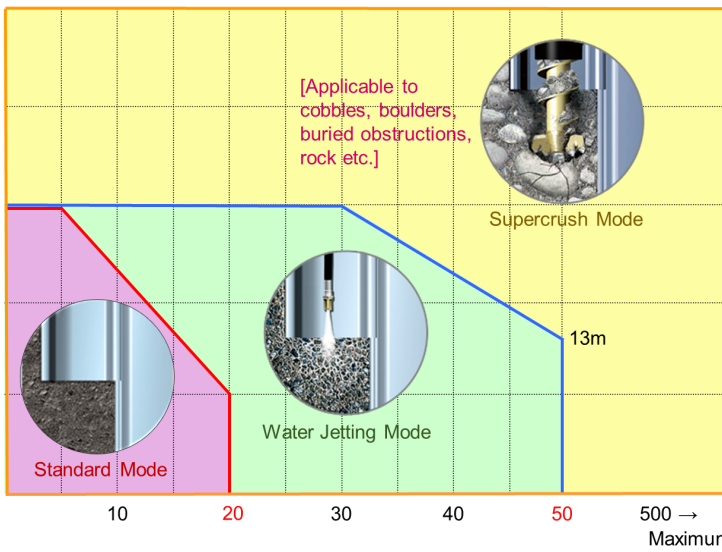
The Giken control system manages the position of the Silent Piler and controls load generation from press-in work during operation. The machine is controlled via the Press-in Force Control System and the Phaseless Linear Auger Torque Control System.





U Sheet Piles

Z Sheet Piles



Giken Reaction Base (Full GRB)

